

Note: Do not connect power higher than 240 VAC to these terminals

Numbers represent wire bundles coming out of the retrofit control center

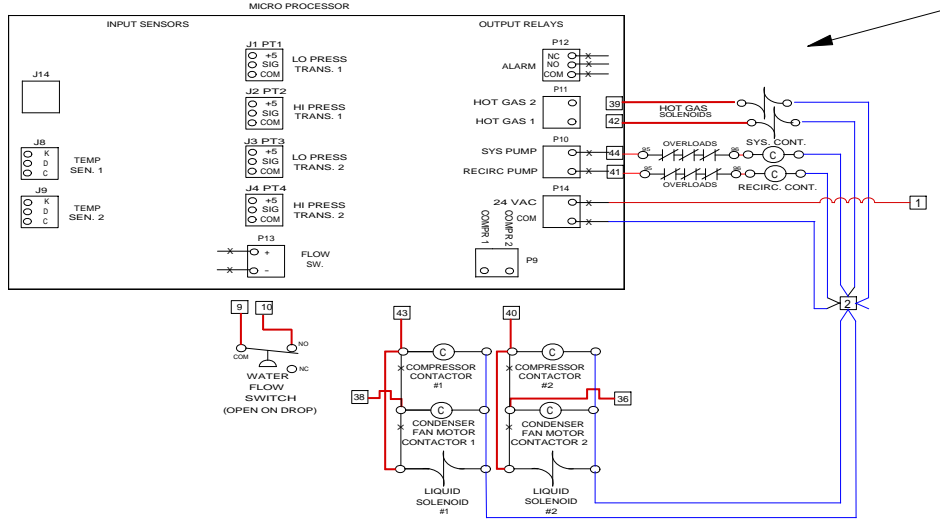
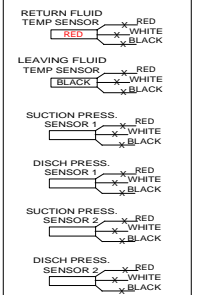
Replace existing temp. sensors. chiller inlet/outlet sensors installed in same locations. Mount AMD sensors in compressor compartment

Replace existing pressure Transducers w/ JCI P499VCP-105K

PSG micro processor drawing shows a single fan and a single system pump. Retrofit control center can support up to two fans and two system pumps, see connections above

Disconnect and abandon all existing PSG Temp, Press sensors & cables

CAT-5 CONNECTION TO REMOTE CONTROLLER/INDICATOR



Legend	
	Retrofit electrical connections to chiller component
	Wire connection to be disconnected and secured
	Solid line indicates existing wiring
	Dashed line indicates field installed wiring not included in kit

<b>Legacy Chiller Systems PSG Retrofit</b>		
This drawing is the property of Legacy Chiller Systems. All rights reserved. Copyright 2017		
For Installation instructions see Retrofit installation documentation		
<b>Rev 5</b>	Rev Date 1-3-18	Drawn by M.King